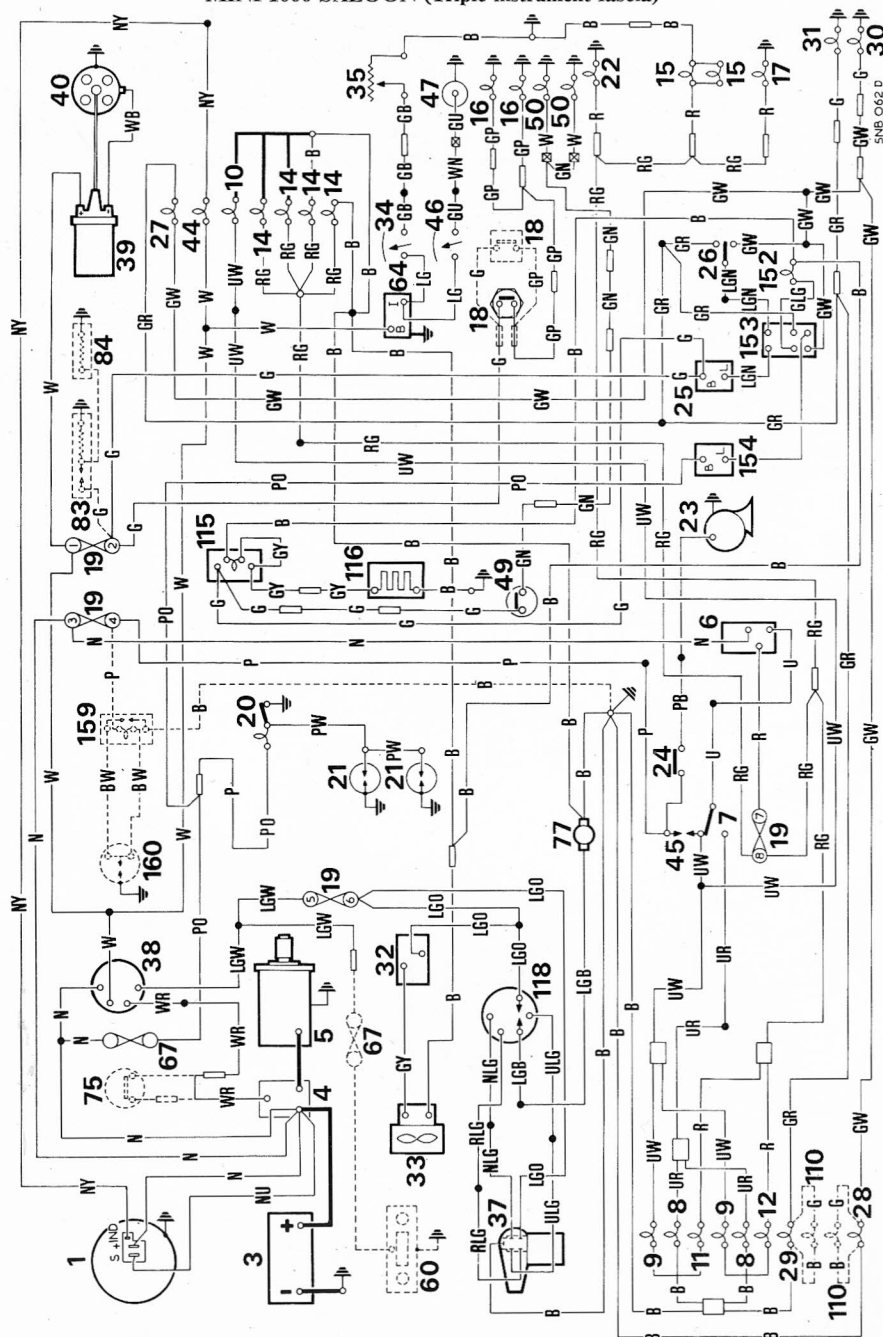


WIRING DIAGRAM

MINI 1000 SALOON (Triple instrument fascia)



KEY TO THE WIRING DIAGRAM

- | | |
|---|---|
| 1. Alternator | 33. Heater motor |
| 3. Battery | 34. Fuel level indicator |
| 4. Starter motor solenoid | 35. Fuel level indicator tank unit |
| 5. Starter motor | 37. Windscreen wiper motor |
| 6. Lighting switch | 38. Ignition start switch |
| 7. Headlamp dip switch | 39. Ignition coil |
| 8. Headlamp dip beam | 40. Distributor |
| 9. Headlamp main beam | 44. No charge warning lamp |
| 10. Main beam warning lamp | 45. Headlamp flash switch |
| 11. Sidelamp—R.H. | 46. Water temperature indicator |
| 12. Sidelamp—L.H. | 47. Water temperature transmitter |
| 14. Panel illumination lamps | 49. Reverse lamp switch } when fitted |
| 15. Number-plate illumination lamps | 50. Reverse lamp } |
| 16. Stop lamps | 60. Radio (when fitted) |
| 17. Tail lamp—R.H. | 64. Voltage stabilizer |
| 18. Stop lamp switch (hydraulic) | 67. Line fuse |
| 18. Stop lamp switch (mechanical) | 75. Automatic gearbox ignition inhibitor switch |
| 19. Fuse box | 77. Windscreen washer motor |
| 20. Interior lamp | 83. Induction heater and thermostat } when fitted |
| 21. Interior lamp switch (door) | 84. Suction chamber heater } |
| 22. Tail lamp—L.H. | 110. Direction indicator repeater lamps } |
| 23. Horn | 115. Heated rear screen switch |
| 24. Horn-push | 116. Heated rear screen |
| 25. Direction indicator flasher unit | 118. Combined windscreen washer and wiper switch |
| 26. Direction indicator switch | 152. Hazard warning lamp |
| 27. Direction indicator warning lamp | 153. Hazard warning switch |
| 28. Front direction indicator lamp—R.H. | 154. Hazard warning flasher unit |
| 29. Front direction indicator lamp—L.H. | 159. Brake failure test switch and warning lamp |
| 30. Rear direction indicator lamp—R.H. | 160. Brake pressure differential switch |
| 31. Rear direction indicator lamp—L.H. | |
| 32. Heater switch | |

CABLE COLOUR CODE

B. Black	N. Brown	U. Blue
G. Green.	O. Orange	W. White
K. Pink	P. Purple	Y. Yellow
LG. Light Green	R. Red	S. Slate

When a cable has two colour code letters the first denotes the main colour and the second denotes the tracer colour.